

**Sixth Semester B.Arch. Degree Examination, Dec.2016/Jan.2017**  
**Estimation and Costing**

Time: 3 hrs.

Max. Marks:100

**Note: 1. Q.No. 1 is compulsory.****2. Answer any three full questions from Q.No. 2 to 6.**

- 1 The accompanying Fig.Q1 shows the details of a building. Prepare a detailed estimate for below mentioned item of work.
- Foundation concrete bed width = 0.8 m, depth = 0.20 m. (07 Marks)
  - Foundation S.S. masonry width = 0.5 m, depth = 0.80 m (07 Marks)
  - Basement width = 0.4 m, depth = 0.15 m. (07 Marks)
  - Plinth concrete, DPC (1:2:4) Width = 0.4, depth = 0.15m (07 Marks)
  - Roof – RCC roof slab of 10 cm thick. (07 Marks)
  - External walls are 30 cm and partition walls (Internal wall) are 20 cm in Brick masonry in cm 1:6. (20 Marks)

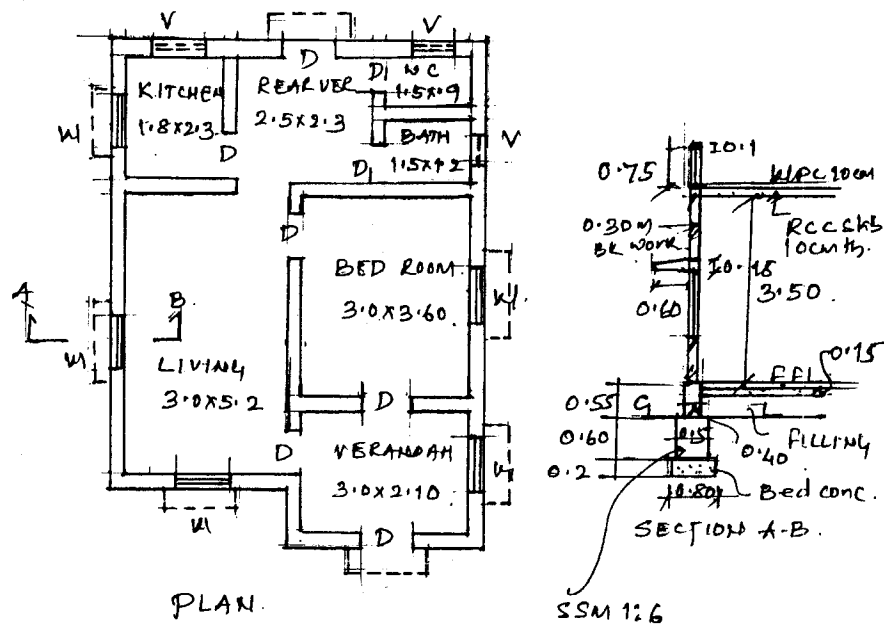


Fig.Q1

Schedule of Opening :

$$D = 0.90 \text{ m} \times 2.1 \text{ m} \quad W = 1.0 \times 1.2 \text{ m}$$

$$D_1 = 0.75 \text{ m} \times 2.1 \text{ m} \quad V = 0.9 \times 0.60$$

- 2 Write the detailed technical specifications for any three of below mentioned items.
- Earthwork in excavation.
  - Ashlar stone masonry in cm 1:6
  - Marble flooring
  - Providing and laying AC sheet with necessary accessories.
  - Vitrified tile flooring

(15 Marks)

## 09ARC6.6

- 3 Estimate the quantity of earthwork for a portion of a road for 300 m length from the following data. Formation width 10 m, side slope in banking is 2:1, side slope in cutting is 1½ : 1 it.

Distance	0	30	60	90	120	150	180	210	240	270	300
R.L. of ground	101	100.9	100.5	100.7	100.8	100.6	100	99.8	99.2	99.1	98.5

The formation level at the 1<sup>st</sup> chainage is 102.0. The road is in downward gradient 1 in 150 upto 120 m. Afterward gradient changes to 1 in 100. (15 Marks)

- 4 Write short notes (any three):

- i) Tender document and its content
- ii) Measurement book
- iii) Different type of estimates used in reality
- iv) Administrative sanction and technical sanction
- v) Earnest money deposit and security retention.

(15 Marks)

- 5 From 1<sup>st</sup> principles arrive @ the rate of any three of below mentioned items of work.

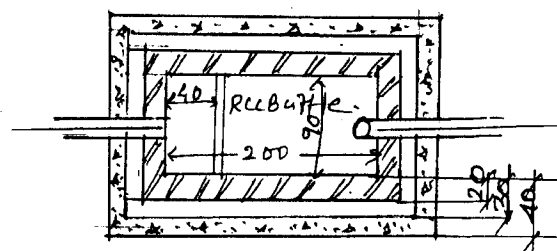
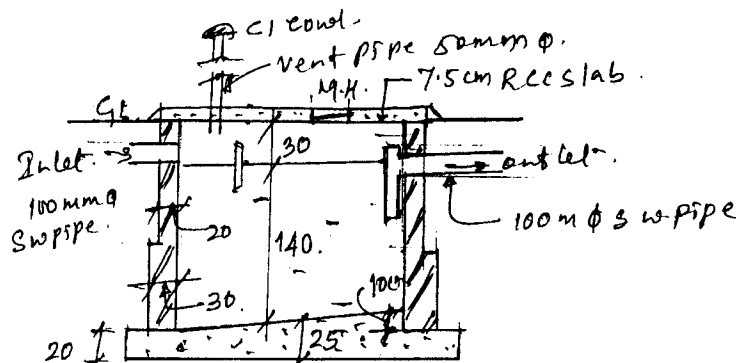
- i) R.C.C. 1:2:4 for roof slab
- ii) Brick work in cm 1:4
- iii) Providing plastering with cm 1:6 of 20 mm thick
- iv) R.C.C. work 1 : 1½ : 3 for beams. Columns with 2% steel.

(15 Marks)

- 6 Fig.Q6 shows the details of septic tank. Prepare the estimate for following items of work.

- i) Earthwork in excavation
- ii) PCC 1 : 3 : 6 for bed concrete
- iii) RCC slab OR
- iv) BBM in cm 1 : 4 for walls.

(15 Marks)



All dimensions  
Are in cm

Fig.Q6

\*\*\*\*\*